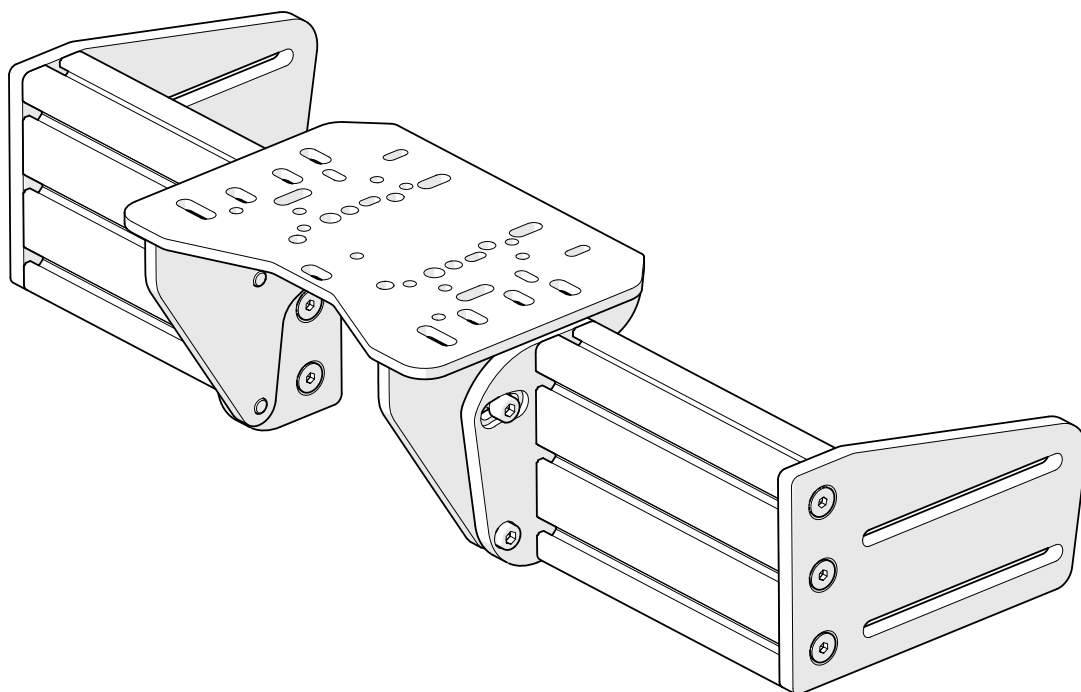


TR-One

Universal Wheel Deck

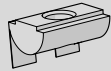
TR80-NWMA-WM4



Part #	Description	QTY	Check
BOX #: TR80-NWMA			
SH-M8-25	Screw (Hex), M8x25	12	
SF-M8-20	Screw (Flat), M8x20	12	
WF-M8	Washer (Flat), M8	8	
WL-M8	Washer (Lock), M8	8	
NS-M8	T-Nut (Spring), M8	8	
WM-TR1-FN	Wheel Mount, TR-ONE, Fanatec Plates	4	
WM-TR1-WP	Wheel Mount, TR-ONE, Wheel Plates	2	
WM-TR1-PP	Wheel Mount, TR-ONE, Profile Plates	2	
AT-120-180	Aluminum Profile (Threaded), 40x120x180mm	2	
BOX #: TR80-NWM4			
SH-M8-15	Screw (Hex), M8x15	4	
SH-M6-15	Screw (Hex), M6x15	4	
WF-M6	Washer (Flat), M6	4	
WM-WM4	Wheel Mount, TR80-NWM4 Assembly	1	

TR80-NWMA + TR80-NWM4

1



NS-M8 x8



SH-M8-25 x8



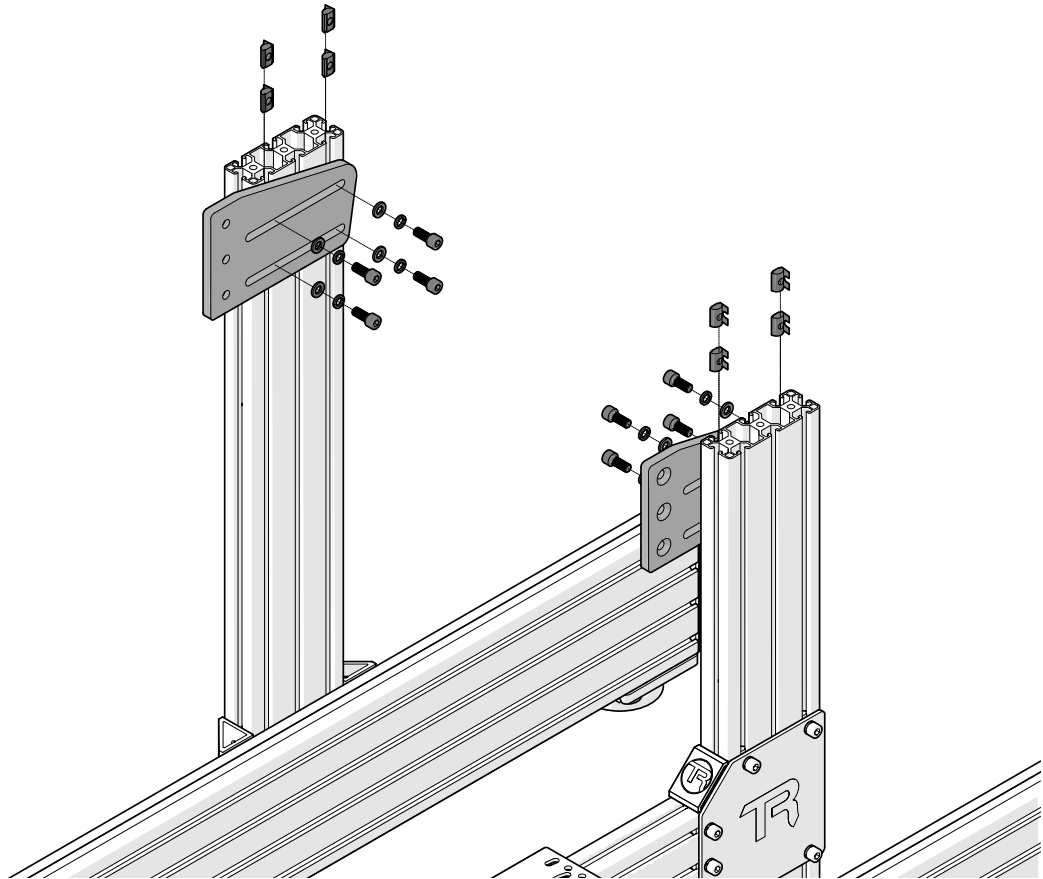
WL-M8 x8



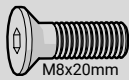
WF-M8 x8



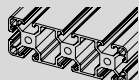
WM-TR1-PP x2



2



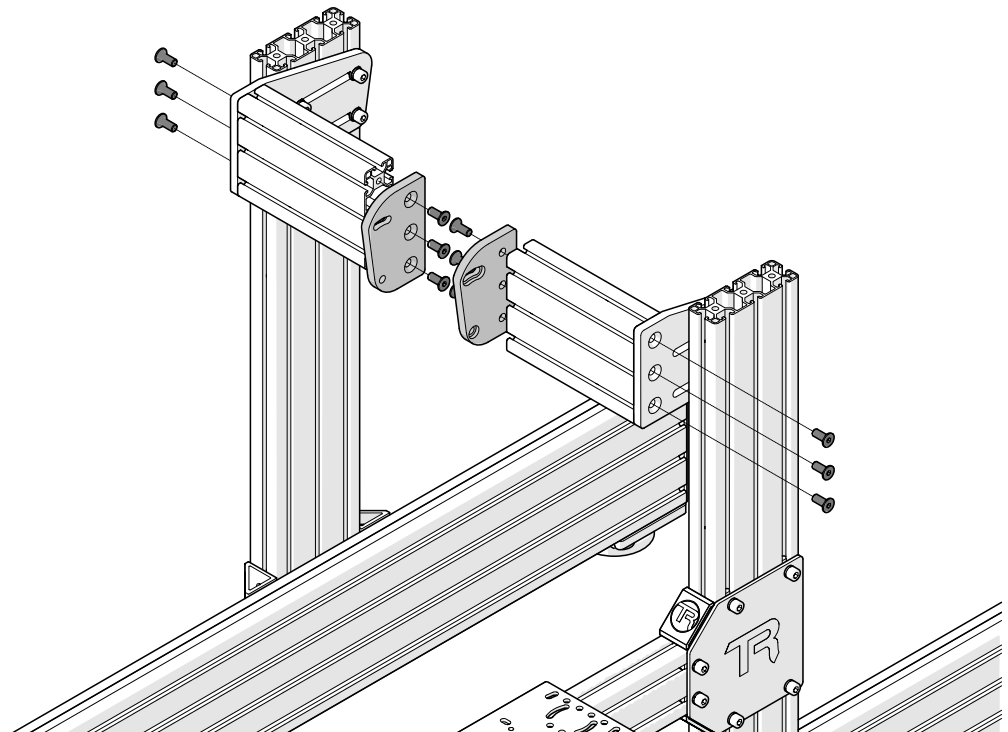
SF-M8-20 x12



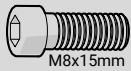
AT-120-180 x2



WM-TR1-WP x2



3

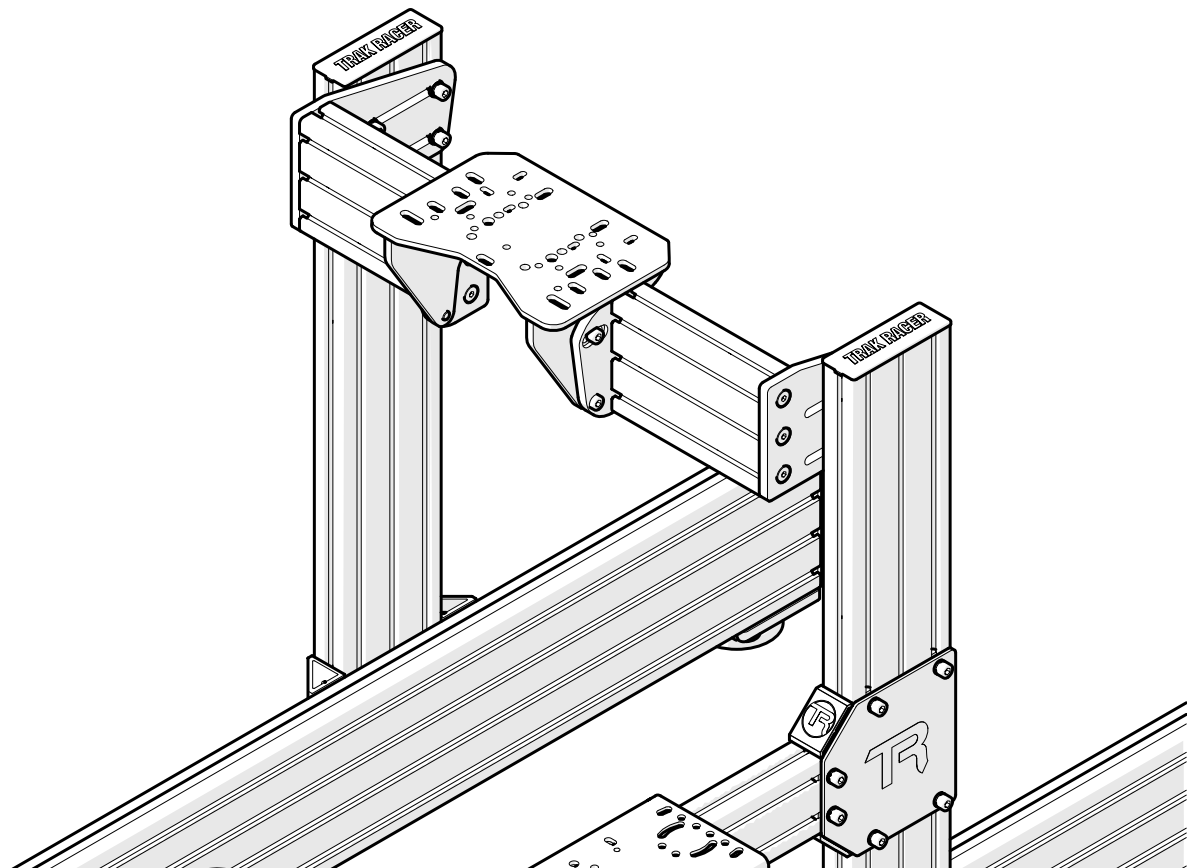
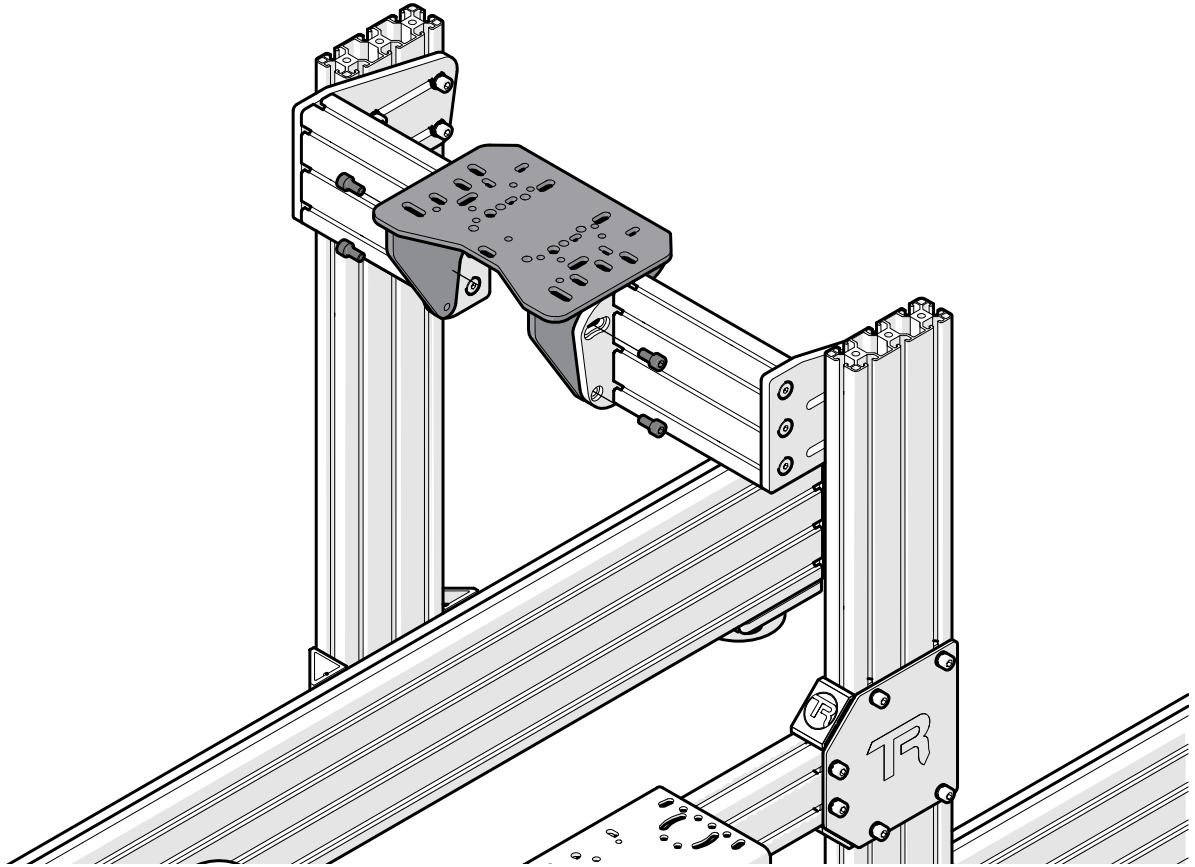


M8x15mm

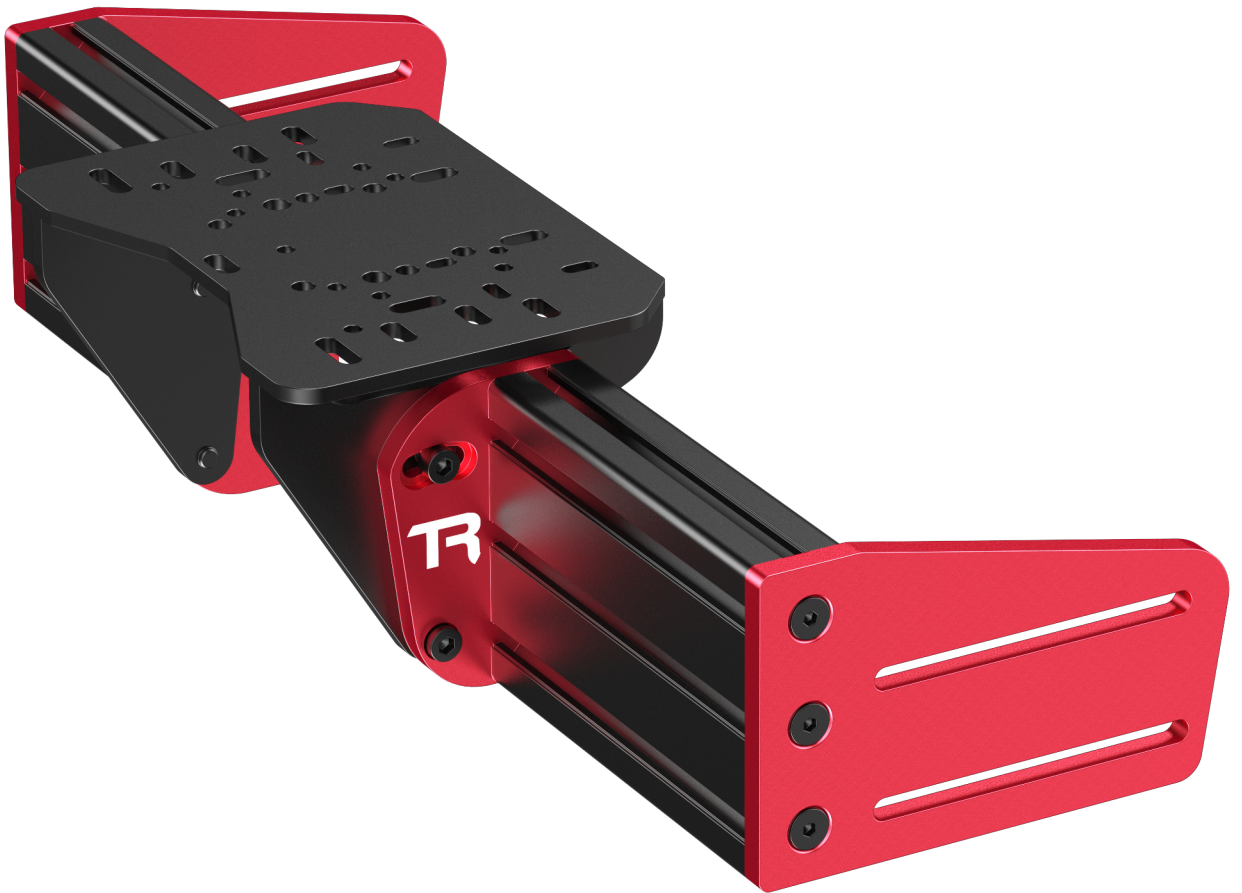
SH-M8-15 x4



WM-WM4 x1



FINISHED



Share your build online and tag us to be featured!



@trakracer



@trakracer



@trak_racer