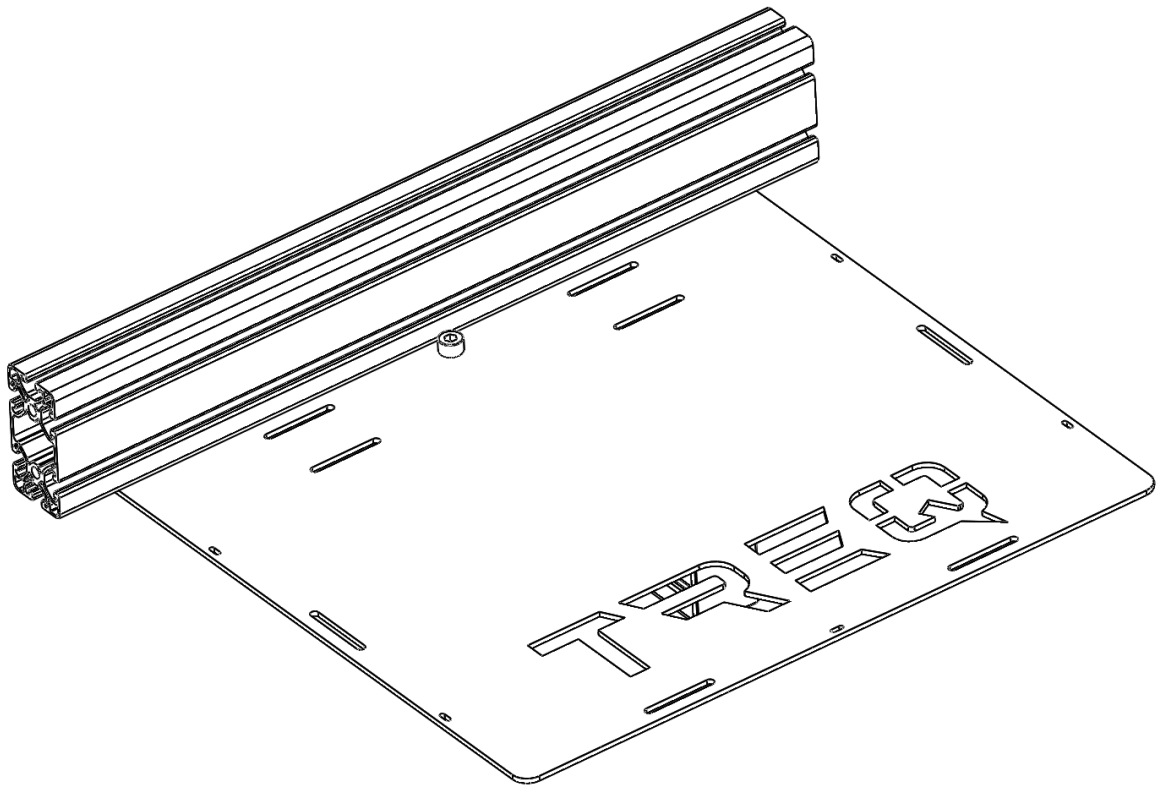
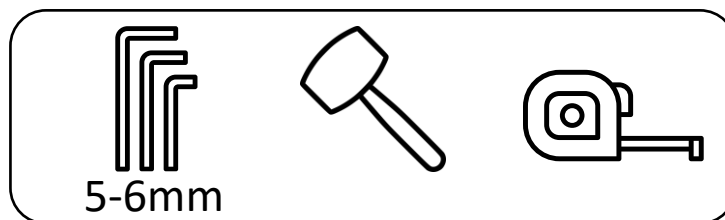


# CONSOLE MOUNT

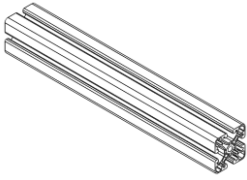
## INSTRUCTION MANUAL



### REQUIRED TOOLS:

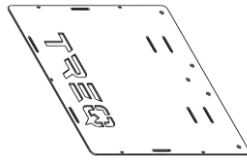


**1**



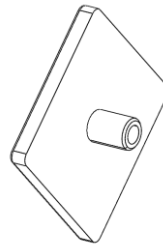
Profile 4040 L=280

**1x**



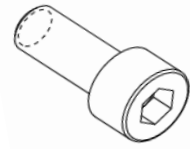
Bracket

**1x**



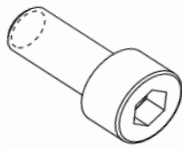
Cover 4040

**2x**



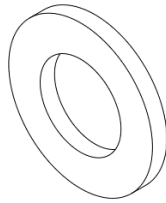
M8x16

**6x**



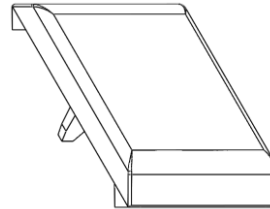
M6x12

**1x**



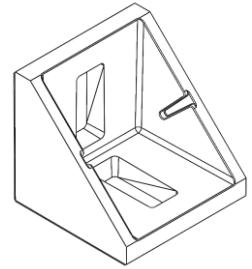
Washer M8

**2x**



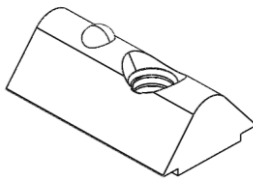
Corner Cover 4040

**2x**



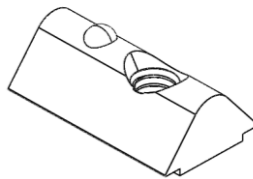
Corner 4040

**2x**



Click-in Nut M8

**6x**

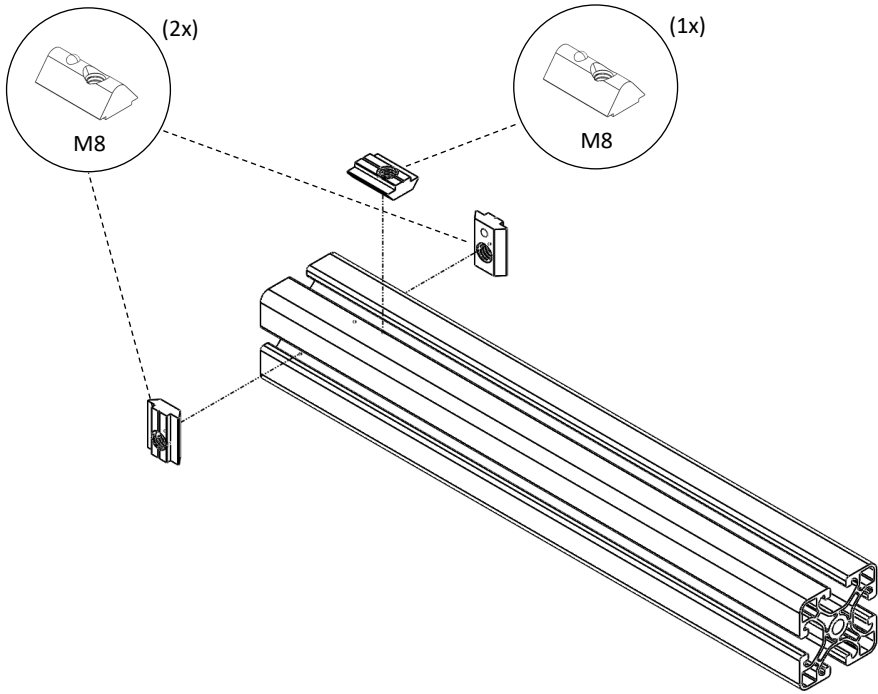


Click-in Nut M6

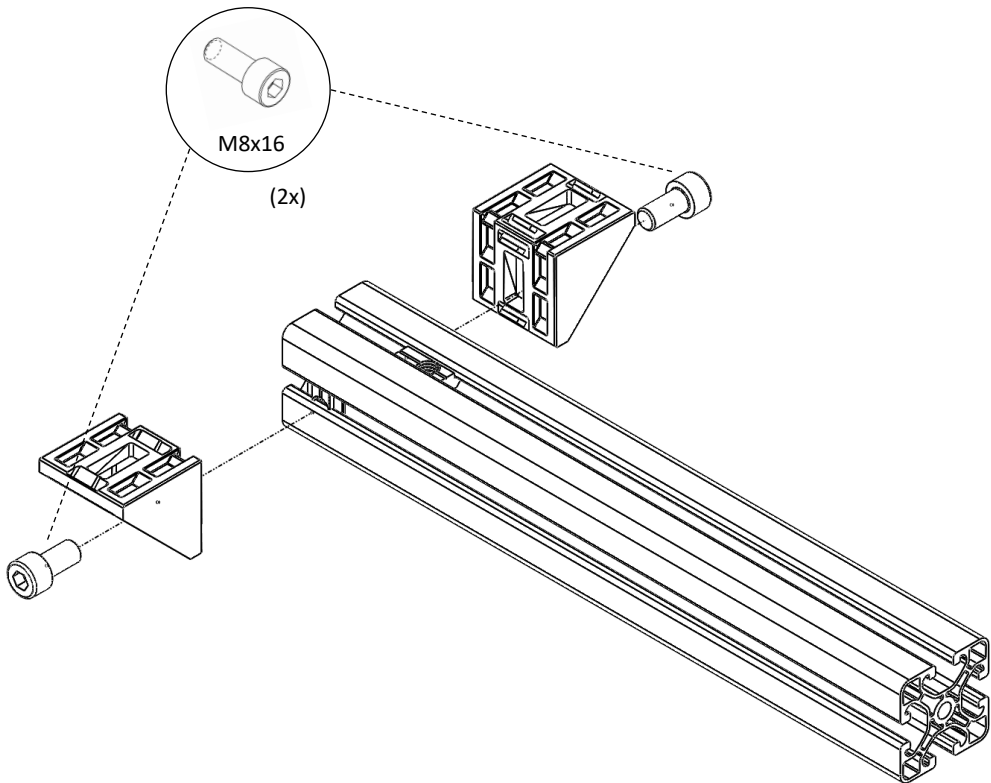
**1x**

**TREQ**

2

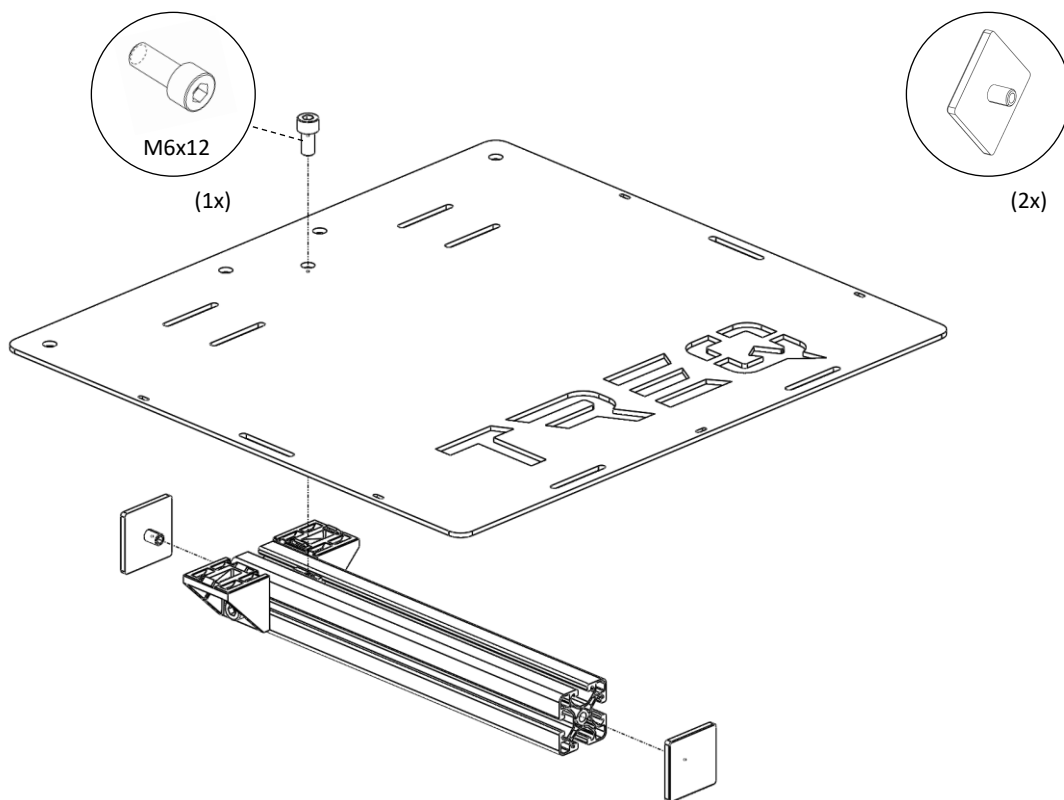


3

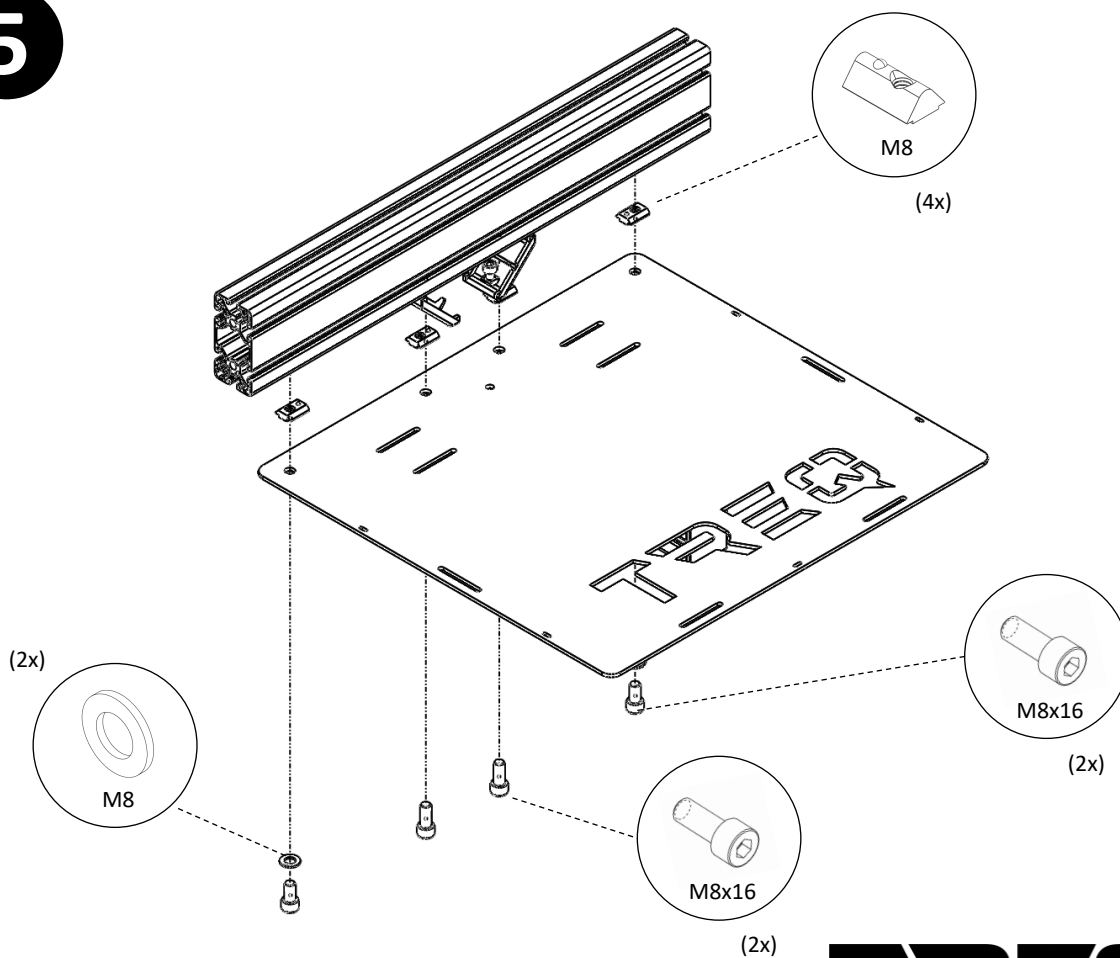


**TREQ**

4

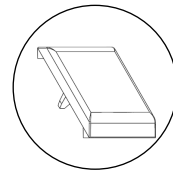


5

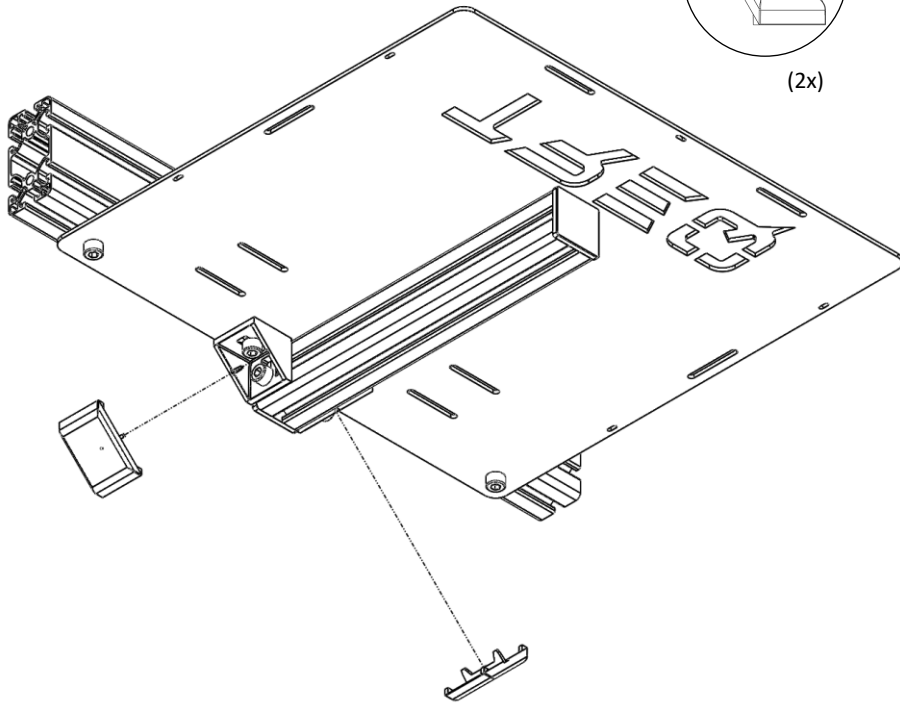


**TREQ**

6



(2x)



**TREQ**